

TEAC®

SERVICE MANUAL

CTM806SV

80CM CTV

SPECIFICATION

SUPPLY VOLTAGE : AC220V 50Hz $\geq +10\%$ / -20%

SYSTEM :	PAL - I/I	PAL - BG	PAL - I (UK)	PAL - SECAM - BG / DK	PAL - SECAM - BG / DK (HYPER)	PAL - BG (HYPER)	PAL - BG (CATV)	SECAM - L	L'	PAL-OK	
CHANNEL L - VHF :		2 - 4		1 - 5	1 - 5	E2 - S10	E2 - S2		FB - FC	1-5	CH
H - VHF :	4 - 13	5-12		6 - 12	6 - 12	E5 - S41	E5 - S20	1 - Q		6-12	CH
UHF :	21 - 69	21 - 69	21-69	21 - 69	21 - 69	E21 - E69	E21 - E69	21 - 69		13-57	CH
VIF FREQUENCY :	38.9	38.9	39.5	38.0	38.9	38.9	38.9	38.9	32.7	38	MHz
SIF FREQUENCY :	32.9	33.4	33.5	31.5 32.5	32.4 33.4	33.4	33.4	32.4	39.2	31.5	MHz
CHROMA IF FREQUENCY :	34.47	34.47	35.07	33.57 33.57	34.47 34.47	34.47	34.47	34.47		33.57	MHz
INTER-CARRIER FREQUENCY :	6.0	5.5	6	6.5 5.5	5.5 6.5	5.5	5.5	6.5	6.5	6.5	MHz
SCANNING HORIZONTAL :	15625 LINE 50 Hz										
VERTICAL :											
ANTENNA INPUT IMPEDANCE :											
CRT :	34" 38"										

ITEMS OF MEASUREMENT	STANDARD		UNIT
	34"	38"	
VIDEO SENS. AT S/N 30db L - VHF H - VHF UHF	≤ 57	≤ 57	dbuv
	≤ 57	≤ 57	dbuv
	≤ 60	≤ 60	dbuv
SOUND SENS. AT S/N 30db L - VHF H - VHF UHF	≤ 42	≤ 42	dbuv
	≤ 42	≤ 42	dbuv
	≤ 48	≤ 48	dbuv
AGC CHARACTER	≤ 60	≤ 60	db
SELECTIVITY -1.5 MHz + 8 MHz	≤ 35	≤ 35	db
	≤ 40	≤ 40	db
COLOR SENS.	≤ 45	≤ 45	dbuv
COLOR LOCK - IN RANGE	≤ ±300	≤ ±300	Hz
VERTICAL LOCK - IN RANGE	≤ 6	≤ 6	Hz
HORIZONTAL LOCK - IN RANGE	≤ 400	≤ 400	Hz
MAX BRIGHTNESS	≤ 80	≤ 70	cd/m2
MAX OUTPUT POWER	≤ 5.0	≤ 5.5	W
OUTPUT POWER AT 10% THD	≤ 4.5	≤ 5.0	W
BUZZ	≤ -40	≤ -40	db
AFC RANGE	≤ ±1	≤ ±1	MHz
	≤ ±0.5	≤ ±0.5	MHz
MIN. VOL HUM	≤ 20	≤ 20	mV
RESOLUTION HORIZONTAL VERTICAL	≤ 300	≤ 300	LINES
	≤ 400	≤ 400	LINES
LINEARITY DISTORTION VERTICAL HORIZONTAL	≤ 10	≤ 10	%
	≤ 10	≤ 10	%
RASTER DISTORTION	≤ 5	≤ 5	%
REMOTE CONTROL DISTANCE ANGLE	≤ 5	≤ 5	METER
	≤ ±15	≤ ±15	DEGREE
POWER CONSUMPTION (AT NORMAL CONDITION)	≤ 120	≤ 150	WATTS
POWER CONSUMPTION (AT MAX. CONDITION)	≤ 150	≤ 180	WATTS
CONVERGENCE DISLOCATION AT AREA "A" AREA "B" (see fig.1)	≤ 0.4	≤ 0.4	%
	≤ 0.8	≤ 0.8	%

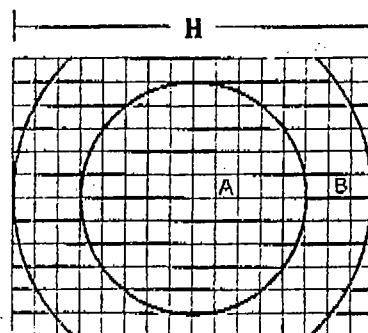


Fig.1

VIDEO INPUT LEVEL : 1.0V P-P ± 3dB
AUDIO INPUT LEVEL : 0.5V RMS ± 3dB

ALIGNMENT INSTRUCTION

I. PLEASE READ BEFORE ATTEMPTING SERVICE

1. Never disconnect any leads while receiver is in operation.
2. Disconnect all power before attempting any repairs.
3. Do not short any portion of the circuit while power is on.
4. For safety reasons, all parts replaced should be identical, (for parts and part numbers see parts list).
5. Before alignment the set must be pre-heated for 30 minutes or more and erase magnetism thoroughly from CRT front chassis frame by erase coil. (Except IF, SYNC, COLOR, SECAM, B+, SOUND)

II. TEST EQUIPMENT

- | | |
|---|---|
| 1. Colour Bar, Dot, Cross Hatch Generator | 6. High Voltage Meter |
| 2. DC Power Supply | 7. Ampere Meter (0.5 Class, DC 3mA Max) |
| 3. Oscilloscope | 8. Demagnetizing Coil |
| 4. Vacuum Tube Voltmeter | 9. Philips Pattern Generator |
| 5. Volt Ohmmeter | 10. High Pot Tester |

III. FACTORY ADJUSTMENT : See table 1- 4

1. Press REMOTE FACTORY ON button.
2. Press REMOTE FACTORY button.
3. Press REMOTE UP or DOWN button select item.
4. Press REMOTE value (+), (-) button, adjust the value.
5. REMOTE DIALOG CENTRE button can turn off factory mode function.

REMARK : NO this factory on Normal remote control .

IV. B+ ADJUSTMENT

1. Connect a digital voltmeter between the W237 and Ground.
2. Press REMOTE Picture button.
3. Press REMOTE UP/DOWN and value (-) button set Brightness, contrast, color to minimum.
4. Adjust Screen Volume on FBT Until the picture can just be seen.
5. Adjust VR901 and obtain a reading of 143V \pm 1V (DC).

V. AGC ALIGNMENT

1. Receive CH69 (UHF) and input field strength.
2. Connect a digital voltmeter between the TUNER AGC TERMINAL and Ground.
3. Press REMOTE AGC button.
4. Press REMOTE value (+) (-) button adjust value to (0) and then adjust AGC take over value obtain drop down 0.4V. (DC)

REMARK : (1/ The drop down voltage should be more than and tends to 0.4V)
(2/ No observable noise can be seen)

VI. SOUND TRACKING ALIGNMENT

1. Receive a gray scale pattern.
2. Connect a oscilloscope and monitor IC202 PIN 13 and Ground.
3. Adjust T200 to obtain the waveform Fig.6. Connect a volt meter to IC202 PIN15 ← and GND, adjust T200 to obtain $2.7 \pm 0.1V$.

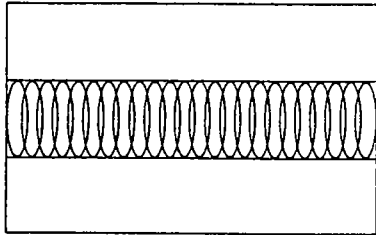


Fig.6

Remark: All frequency of Marker points are $\pm 0.2\%$ tolerance.

VII. EAST - WEST CORR ECTION ADJUSTMENT

- 1) Receive a crosshatch and center cross pattern.
- 2) Set the Brightness, contrast to middle position.
- 3) Press REMOTE EW-Par/wid, EW-trap button, Press REMOTE VALUE (+) (-) button adjust Value to normal regular picture.
- 4) Press REMOTE WE-width button, Press REMOTE value (+) (-) button adjust value to proper horizontal width ($90\% \pm 2\%$)

VIII. HORIZONTAL SHIFT ADJUSTMENT

1. Receive Monoscope Pattern input signal $70dB \pm 10dB$.
2. Press REMOTE H-shift button.
3. Press REMOTE value (+) (-) button adjust value to obtain the picture at center $\pm 2mm$.
(Specification show in Fig.8)

IX. VERTICAL LINEARTY ADJUSTMENT

- 1) Receive a crosshatch and center cross pattern.
- 2) Set the Brightness, conthast to middle position.
- 3) Press REMOTE V-Slope, S-Correction button, Press REMOTE Value (+) (-) button adjust value to normal regutor picture.
- 4) Press REMOTE V-Shift button, Press REMOTE Value (+) (-) button adjust value to obtain the picture at center.

X. VERTICAL AMPL ADJUSTMENT

1. Receive the Monoscope Pattern.
2. Press REMOTE V-ampl button.
3. Press REMOTE value (+) (-) button adjust value to obtain a normal picture.

XI. WHITE BALANCE ALIGNMENT STEP

(Degauss the picture by degaussing coil if necessary)

1. Receive a black and white pattern.
2. Press REMOTE picture button.
3. Press REMOTE UP/DOWN and value (-) button set the brightness, contrast, colour to minimun.
4. Ajust screen volume on FBT unitl the picture can just been seen.
5. Press REMOTE sub bri button.
6. Press REMOTE value (+) (-) button adjust value to (31).
7. Press REMOTE witht bal button.
8. Press REMOTE Value (+) (-) button ajust value to (1) see the picture at horizontal line.
9. Ajust screen volume on FBT until the horizontal line can just been seen.
10. Repeat item 7.8 Can obtain normal screen.

XII.SUB - BRIGHTNESS ALIGNMENT

1. Receive a colour bar pattern.
2. Press REMOTE picture button,.
3. Press REMOTE UP/DOWN and value (-) button set the brightness, contrast to minimum.
4. Press REMOTE sub bright button.
5. Press REMOTE value (+) (-) button adjust value to brightness bar can just be seen.

XIII. FOCUS ALIGNMENT

- 1) Set the Brightness and Contrast to middle position.
- 2) Receive a monoscope pattern.
- 3) Adjust focus control to obtain sharpest picture.

XIV. PINCUSHION CORECTION ALIGNMENT ←

1. Thg TV Set face to east.
2. Receive a cross hatch patten.
3. Adjust VR020 to change the amplitude of pin cushion corection.
4. Adjust L020 to change the balance of horizontal line.

Repeat item ③ , ④ until best condition.

PCB 190-283300-20

XV. HIGH POT TESTING

- 1) Short the L - pole and N - pole of AC line cord.
- 2) Switch on the power switch of the TV Set.
- 3) Connect The High Pot Tester (-) to L and N pole, (+) to the METAL PART of CABINET.

SAFETY STD. / CONDITION	TEST SYANDARD	TEST STANDARN FOR PRODUCTION
VDE, SAA	3.0KV 10mA / 1MIN	≥ 3.5 KV ≤ 10 mA / ≥ 10 SEC.
BS	4.0KV 10mA / 1MIN	≥ 4.0 KV ≤ 10 mA / ≥ 10 SEC.
CHINA STANDARD	3.0KV 10mA / 1MIN	≥ 3.3 KV ≤ 5 mA / ≥ 6 SEC.
UL	1.0KV 5mA / 1MIN	≥ 1.25 KV ≤ 5 mA / ≥ 1 SEC.

Remark:

- 1) If no other specify, the strength of input signal should be 70dB ± 10 dB.
- 2) The High Pot Tester can have $\leq \pm 5\%$ tolerance.

DISTRICT	CENTRE (mm) POSITION	LIMIT (mm)	SCANNING SIZE (%)	SCANNING SIZE LIMIT (%)
THAILAND	-1	0 ~ -2	90	88 ~ 92
FRANCE	+3	0 ~ +5	90	88 ~ 94
GERMANY	+3	0 ~ +5	90	90 ~ 95
*GROUP A	-2	-5 ~ -1	90	88 ~ 94
*GROUP B	0	-2 ~ +2	90	88 ~ 94
*GROUP C	+3	0 ~ +5	90	88 ~ 94

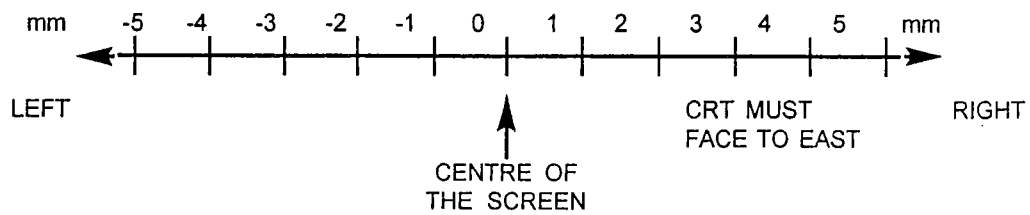


FIG.8

- REMARK:
1. SUITABLE FOR 14" OR ABOVE TV.
 2. Adjust the centre position must take the upper side of monoscope pattern for standard.
 3. Group A : AUSTRALIA, NEW ZEALAND, TAHITI.
 4. Group B : HONG KONG, CHINA, AMERICA, CANADA, MALAYSIA, MEXICO.
 5. Group C : ENGLAND, ITALY, GERMANY, RUSSIA, SWITZERLAND, JUGOSLAVIA, SPANISH.
- If the above countries are not include, please consult to Engineering Dept.

FACTORY MODE TABLE 1

ITEM		REF VALUE	REMARK
1	POWER	P	0 = TV Status S = Power Status P = Last power status
2	TDA884X	3	1=PAL/NTSC.W/O EW 3=PAL/NTSC.W/EW 2=PAL/SECAM/NTSC.W/O EW 4=PAL/SECAM/NTSC,W/EW
3	S.SYS	1	1=DK/I 4=BG/DK/I/M 2=BG/DK 5=I 3=DK/I/M 6=BG
4	LOGO	2	1=NIL 4=Haier 2=ROWA 3=CAIXING
5	CTI	1	0 = OFF 1 = ON
6	OSD.	0	0 = NO BACKGROUD 1 = W/BACKGROUD
7	WOOFER	1	0 = OFF 1 = ON
8	TEXT	0	0 = OFF 1 = ON
9	LANGUAGE	1	0 = ENGLISH ONLY 1 = CHINESE/ENGLISH
10	AV NO	1	1 = TV/AV1/AV2/AV3/S-VHS 2 = TV/AV1/AV2/S-VHS 3 = TV/AV1/AV2
11	KARAOKE	0	0 = OFF 1 = ON
12	BBE	1	0 = OFF 1 = ON
13	HALF SCR	0	0 = Picture 1 = HACF Picture

FACTORY MODE TABLE 2

	ITEM	VALUE ADJUST RANGE	REF VALUE	REMARK	
→	1	H-SHIFT	C0-ff	e3	For TV set Adjustmant
	2	V-SLOPE	0-3f	2b	For TV set Adjustmant
→	3	V-AMPL	40-7f	68	For TV set Adjustment
	4	S-COR	80-Bf	86	For TV set Adjustmant
	5	V-SHIFT	0-3f	9	For TV set Adjustment
	6	EW-WIDTH	0-3f	36	For TV set Adjustmant
	7	EW-PAR/WID	0-3f	16	For TV set Adjustment
	8	EW-CORNER	0-3f	14	For TV set Adjustmant
	9	EW-TRAP	0-3f	2a	For TV set Adjustment
	10	CTR L0		3	NON-Adjustable Value
→	11	CTR L1		d0	NON-Adjustable Value
→	12	AGC	40-7f	45	For TV set Adjust mant
	13	ARJ IF PLL		40	For TV Set IF Frequencg 40 = 38.90 MHz 80 = 33.40 MHz 60 = 38.00 MHz CI = 33.90 MHz

FACTORY MODE TABLE 3

	ITEM	VALUE ADJUST RANGE	REF VALUE	REMARK
→	1	CTR L2	8	NON-Adjustable value
→	2	CTR L3	13	NON-Adjustable value Date code 111099 PCB This item set.16
→	3	CTR L4	49	NON-Adjustable value W/O CTI e9
→	4	HOTEL	0	0 = OFF 1 = ON
	5	SUB SHP	00-31	Sub shp seting
	6	COMB	1	0 = OFF 1 = ON
	7	NICAM	1	0 = NICAM+G.S 2 = G.S 1 = NICAM
	8	CCD	1	0 = OFF 1 = ON

FACTORY MODE TABLE 4

ITEM		VALUE ADJUST RANGE	REF VALUE	REMARK
1	PT R	0-3f	31	For TV Set Adjustmant
2	PT G	0-3f	2a	For TV Set Adjustmant
3	PT B	0-3f	27	For TV Set Adjustmant
4	WHITE BAL		0	0 = Picture 1 = H-LINE
→ 5	SUB BRI	00-31	06	SUB bri Sating (TEAC CPU 10)

LOCATION \ T R	B.V	C.V	E.V					
Q101	5.07	0.61	5					
Q102	4.35	4.9	5					
Q103	4.5	0.36	5					
Q104	1.03	5	0.28					
Q105	0.25	GND	0.93					
Q106	2.75	7.6	2.07					
Q107	0	5	GND					
Q108	5	4.75	GND					
Q109	4.48	GND	5.1					
Q111	3.14	6.7	2.43					
Q112	1.21	7.88	0.6					
Q301	7.9	1.1	0.06					
Q401	0.45	62.4	GND					
Q402	0.13	141	0					
Q403	1.42	9.5	0.7					
Q404	1.4	0.69	0.6					
Q405	0.6	22.5	NGD					
Q406	3.16	0	3.3					
Q407	22.5	GND	23.08					
Q601	GND	5	0.04					
Q602	5	0.04	5					
Q603	18.9	0.3	GND					
Q604	4.4	5	5.08					
Q901	7.6	55.5	8.04					
Q902	62.3	14.14	63.1					
Q903	0.01	62.3	GND					
Q904	0.75	0.01	GND					
Q905	135	54.1	GND					
Q961	5	GND	5.25					

TDA8844
TDA8843

TDA4565

74HCT241N

TDA9181P

TDA9875

TDA9801

PCF8598C-2

PIN NO	SYMBOL	IC101/V	IC102/V	IC103/V	IC104/V	IC201/V	IC202/V	IC601/V
1		GND	4.07	5	0.9	NC	3.32	GND
2		GND	4.07	0	GND	NC	3.32	NC
3		NC	3.35	0.9	1.43	GND	NC	GND
4		NC	3.35	0	GND	4.4	NC	GND
5		2.48	2.48	0.9	4.98	4.5	NC	5.1
6		3.3	4.83	0	5	GND	1.7	5.1
7		4.3	4.12	0.86	0.76	3.84	NC	5.1
8		4.3	4.2	0	GND	2.57	NC	5.1
9		6.7	4.89	4.26	0.62	NC	NC	
10		1.1	11.47	GND	4.72	NC	NC	
11		3.9	2.14	5	0.07	2.3	NC	
12		7.3	NC	4.27	1.7	2.29	NC	
13		3.95	GND	0.85	GND	GND	1.91	
14		GND	1.24	0.86	1.48	GND	NC	
15		NC	0.15	0.87		4.33	4.25	
16		0	NC	0.9	1.47	3.52	2.7	
17		3.9	2.27	0.85		GND	2.7	
18		6.26	GND	0.88		1.82	GND	
19		3.05		5		1.88	3	
20		3.03		4.89		NC	4.53	
21		3.13				NC		
22		3.3				4.48		
23		3.45				NC		
24		3.45				NC		
25		3.44				NC		
26		0				NC		
27		0				NC		
28		2.86				GND		
29		2.25				NC		
30		2.26				GND		
31		0				3.9		
32		0				3.63		
33		4.3				NC		
34		2.5				NC		
35		2.5				GND		
36		4.4				NC		
37		7.68				NC		
38		2.72				4.28		
39		4.86				4.27		
40		0.6				GND		
41		0.73				GND		
42		3.5				GND		
43		3.98				GND		
44		GND				GND		
45		0.58				GND		
46		2.37				2.14		
47		2.6				NC		
48		4.62				NC		
49		4.62				GND		
50		1.75				GND		
51		3.8				NC		
52		3.86				NC		
53		4.56				2.17		
54		1.92				2.17		
55		2.9				2.17		
56		3.34				GND		
57						2.17		
58						2.17		
59						4.35		
60						2.17		
61						2.17		
62						2.17		
63						2.17		
64						4.5		

M 37221

28612912PSC

SAA5261

24C02

TA1219AN

TC9415N

STR-6709

PIN NO	SYMBOL	IC602/V	IC801/V	IC802/V	IC803/V	IC301/V	IC001/V	IC901/V
1		0.76	GND	5.02	GND	6.9	5.1	278
2		0.7	0	5.02	GND	3.39	1.58	0
3		4.1	0	5.02	GND	5.08	2.87	1.86
4		4.7	4.89	5.02	GND	5.24	GND	0.83
5		0.05	0.65	5.02	5.02	5.19	3.92	1.5
6		5.1	GND	5.02	5.02	5.24	GND	0.04
7		NC	2.15	5.02	5	5.24	3.55	0.25
8		NC	1.77	5	5.02	5.23	GND	1.8
9		0	1.4	GND		5.24	NC	8.1
10		4.9	1.19	GND		5.23	5.2	
11		NC	GND	GND		5.24	2.61	
12		NC	4.9	GND		0	2.61	
13		5.03	NC	NC		5.24	NC	
14		4.7	4.12	5.02		5.23	NC	
15		0	4.6	5.02		5.24	NC	
16		1.5	NC	5.02		5.23	2.62	
17		0	0	GND		NC	2.6	
18		GND	0	GND		NC	2.6	
19		2.3		GND		GND	2.65	
20		2		5.02		4.39	2.63	
21		GND		GND		4.34	2.6	
22		5.1		GND		7.7	2.6	
23		1.73		2.44		9.07	2.38	
24		1.73		GND		5.23	GND	
25		5		2.09		5.24		
26		NC		2.4		NC		
27		NC		2.5		5.24		
28		NC		GND		NC		
29		5.05		NC		9.07		
30		5.05		0.09		3.78		
31		5.1		4.67		3.66		
32		4.4		0.9		3.78		
33		5.1		0.9		4.02		
34		4.5		0.9		4.45		
35		NC		4.97		4.03		
36		NC		0.65		4.02		
37		4.7		0.7				
38		0.06		4.86				
39		0		4.81				
40		0.18		GND				
41		0.24		2.4				
42		0		2.45				
43				0				
44				4.97				
45				0				
46				0				
47				0				
48				0				
49				4.4				
50				4.6				
51				0				
52				0				
53								
54								
55								
56								
57								
58								
59								
60								
61								
62								
63								
64								

P621

KA7805

L7808

TDA2616

TDA2616

KAT805

L7812

PIN NO	SYMBOL	IC902/V	IC903/V	IC904/V	IC403/V	IC404/V	IC306/V	IC407/V
1		55.1	11.93	13.58	14.83	9.5	8.6	14
2		54	GND	GND	18.4	19	GND	GND
3		0.25	5.06	7.94	14.86	9.5	5.01	11.9
4		7.3			14.85	9.48		
5					GND	GND		
6					14.83	9.48		
7					29.7	19.1		
8					14.89	9.53		
9					14.7	9.51		
10								
11								
12								
13								
14								
15								
16								
17								
18								
19								
20								
21								
22								
23								
24								
25								
26								
27								
28								
29								
30								
31								
32								
33								
34								
35								
36								
37								
38								
39								
40								
41								
42								
43								
44								
45								
46								
47								
48								
49								
50								
51								
52								
53								
54								
55								
56								
57								
58								
59								
60								
61								
62								
63								
64								

PART NUMBER	DESCRIPTION	QTY	LOCATION
-------------	-------------	-----	----------

618733A0100	PACKING PAD	2	
62288280200	FELT L240 X W17 X T0.5MMW/TAPE	30	FOR BACK CAB.AND OTHER PARTS
63023801000	FIBRE WASHER OD=23 , ID=8T=1MM	16	FOR RCA CRT MTG
74488130100	SPRING FOR C.R.T. MOUNTING 5.2X 42 X 0.6MM	2	FOR CRT
748733A0100	CRT MTG. WASHER	8	FOR CRT MTG
77794270200	SPRING IN ID11 X L23.5	1	
80029330100	POLYFOAM - TOP LEFT	1	
80029330200	POLYFOAM - TOP RIGHT	1	
80029331300	POLYFOAM - BOTTOM LEFT	1	
80029331400	POLYFOAM - BOTTOM RIGHT	1	
822733A0100	SPEAKER HOLDER CUSHION	2	FOR SPK.HOLDER
82650300500	FOAM SHEET 50" X 30" X 0.5MMTHK (APPROX)	1	FOR UNIT TOP
83423080100	RUBBER WASHER OD=23 , ID=8 ,T=1.0	2	FOR CRT DOWN MTG
83423080200	RUBBER WASHER OD=23, ID=8, T=2	4	FOR CRT MTG
84001102421	PAD CORD L240 X W10 X T1 MMW/TAPE	6	FOR SPK HOLDER
84005103011	RUBBER PAD (ONE SIDE W/TAPE)	6	2 BETWEEN SPK.HODER & CRT,4 BETWEEN FRONT CAB.&CRT
84008292911	RUBBER PAD (ONE SIDE W/TAPE)	2	FOR CRT DOWN MTG
94888200300	DOOR LOCKER	1	
95429330200	SPEAKER HOLDER BLACK PP	2	
95488210000	AC LINE CORD CLIP	1	
0021340984A	34" CRT #A80AEJ15X98 (WORLD-WIDE YAMMING) "THOMSON"	1	
0031313150E	TUNER 38.9 MHZ(WSP HYPER 5V)UV1315 PHILIPS (LOW JACK 30MM)	1	TUNER
00812033105	DEGAUSSING COIL 120T L=3750MM(5 TAPE) #XC-GW 74B "ART-TECH"	1	L903
10510010308	FIXED INDUCTOR COIL 10 UH+-10% 0410 AXIAL "WITTIS"	2	L701,702 (ON AV PCB)
10710550066	SOUND TRAP CERAMIC FILTER5.5MHZ WEI HAW	1	CF101
10773150000	SAW FILTER TSB-5308U (SANYO)33.4MHZ	1	SAW101
10773891510	SAW FILTER 38.9 MHZ TSF5315USANYO	1	SAW102
11310100517	CARBON FILM RESISTOR 100 OHM1/16W +-5%	8	R702,715,721 (ON SENSOR P.C.B)
11310200517	CARBON FILM RESISTOR 1K OHM1/16W + 5%	5	R341
11310900517	CARBON FILM RESISTOR 1 OHM1/16W +-5%	1	R454
11315110517	CARBON FILM RESISTOR 150 OHM1/4W +-5%	1	R620
11322300517	CARBON FILM RESISTOR 22K OHM1/16W +-5%	2	R711,712(ON AV P.C.B)
11322900517	CARBON FILM RESISTOR 2.2 OHM1/16W + 5%	1	L104
11327940542	FUSING RESISTOR 2.7 OHM 2W+-5%	1	R501
11333100517	CARBON FILM RESISTOR 330 OHM1/16W +-5%	5	R716,717 (ON AV PCB),R135,136,137
11333140575	METAL OXIDE FILM RESISTOR 330OHM 2W +-5%	1	R453

PART NUMBER	DESCRIPTION	QTY	LOCATION
-------------	-------------	-----	----------

10522020209	LINEARITY COIL 22UH +-20%035-022æ01-808 "WEI HAW"	1	L403
10547910308	FIXED INDUCTIVE COIL 4.7 UH0410-4R7K "WITTIS"	1	L601
10568910316	FIXED INDUCTIVE COIL 6.8UH 10%AL0305-6R8K "BOLUO DUIWANG"	1	L105
10582115606	CHOKE COIL 820UH 0.37 OHMHIGHLIGHT	1	L402
10621001201	RELAY 12V OMIT-SS-112LMORIGINAL	1	RLY901
11310000517	CARBON FILM RESISTOR 10 OHM1/16W +-5%	4	R102,103,104,210
11310050575	METAL OXIDE FILM RESISTOR 10OHM 3W +-5%	1	R464
11310100517	CARBON FILM RESISTOR 100 OHM1/16W +-5%	46	R504,329,630,143,148,163,162,307,308
11310130575	METAL OXIDE FILM RESISTOR 100OHM 1W +-5%	1	R926
11310200517	CARBON FILM RESISTOR 1K OHM1/16W +5%	14	R146,521,109,139
11310220512	CARBON FILM RESISTOR 1K OHM1/2W +-5%	3	R508,509,510
11310230575	METAL OXIDE FILM RESISTOR 1KOHM 1W +-5%	2	R463,511
1131029X551	WIRE WOUND CEMENT RESISTOR 1KOHM 10W +-5% "XINSING"	1	R907
11310300517	CARBON FILM RESISTOR 10K OHM1/16W +-5%	9	R514
11310310167	METAL FILM RESISTOR 10K OHM1/4W +-1%	1	R607
11310400517	CARBON FILM RESISTOR 100K OHM1/16W +-5%	5	R462,336,121,641,412
11310500517	CARBON FILM RESISTOR 1M OHM1/16W +5%	1	R917
11310900517	CARBON FILM RESISTOR 1 OHM1/16W +-5%	4	R213,230,912,W147
11312100517	CARBON FILM RESISTOR 120 OHM1/16W +-5%	1	R933
11312200517	CARBON FILM RESISTOR 1.2K OHM1/16W +-5%	2	R115,516
11312220512	CARBON FILM RESISTOR 1K2 OHM1/2W +5%	1	R468
11312300517	CARBON FILM RESISTOR 12K OHM1/16W +-5%	1	R643
11312400517	CARBON FILM RESISTOR 120K OHM1/16W +-5%	1	R450
11315200517	CARBON FILM RESISTOR 1.5K OHM1/16W +-5%	4	R419,425,517,W136
11315210167	METAL FILM RESISTOR 1.5K OHM1/4W +-1%	1	R458
11315300517	CARBON FILM RESISTOR 15K OHM1/16W +-5%	3	R119,456,422
11315340575	METAL OXIDE FILM RESISTOR 15KOHM 2W +-5%	1	R440
11315840575	METAL OXIDE FILM RESISTOR 0.15OHM 2W +-5%	2	R902,903
11315860575	METAL OXIDE FILM RESISTOR 0.15OHM 5W +-5%	1	R901

PART NUMBER	DESCRIPTION	QTY	LOCATION
-------------	-------------	-----	----------

11318100517	CARBON FILM RESISTOR 180 OHM1/16W +-5%	1	R144
11322000517	CARBON FILM RESISTOR 22 OHM1/16W +-5%	2	R438,909
11322100517	CARBON FILM RESISTOR 220 OHM1/16W +-5%	6	R451,606,318,626,647,914
11322200517	CARBON FILM RESISTOR 2.2K OHM1/16W +-5%	2	R617,518
11322300517	CARBON FILM RESISTOR 22K OHM1/16W +-5%	13	R349,138
11322310167	METAL FILM RESISTOR 22K OHM1/4W +-1%	3	R611,614,101
11322320575	METAL OXIDE FILM 22K OHM 1/2W+-5%	1	R937
1132236W575	METAL OXIDE FILM RESISTOR 22KOHM 5W +-5% "QINGYUEN DAWO"	1	R905
11322400517	CARBON FILM RESISTOR 220K OHM1/16W +-5%	1	R612
11322900517	CARBON FILM RESISTOR 2.2 OHM1/16W +-5%	3	R229,108,217
11324310167	METAL FILM RESISTOR 24K OHM1/4W +-1%	1	R919
11327100517	CARBON FILM RESISTOR 270 OHM1/16 W +-5%	1	R201
11327220512	CARBON FILM RESISTOR 2.7K OHM1/2W +-5%	1	R436
11327300517	CARBON FILM RESISTOR 27K OHM1/16W +-5%	4	R640,823,337,147
11333000517	CARBON FILM RESISTOR 33 OHM1/16W +-5%	2	R910,117
11333020512	CARBON FILM RESISTOR 33 OHM1/2W +-5%	1	R339
11333100517	CARBON FILM RESISTOR 330 OHM1/16W +-5%	1	R130
11333130575	METAL OXIDE FILM RESISTOR 330OHM 1W +-5%	1	R448
11333200517	CARBON FILM RESISTOR 3.3K OHM1/16W +-5%	6	R623,625,471,472,467,645
11333290558	WIRE WOUND CEMENT RESISTOR 3K3OHM 10W +-5% H=39MM TAIWAN OHM	1	R437
11333300517	CARBON FILM RESISTOR 33K OHM1/16W +-5%	1	R921
11333900517	CARBON FILM RESISTOR 3.3 OHM1/16W +-5%	1	R918
11333930575	METAL OXIDE FILM RESISTOR3.3 OHM 1W +-5%	2	R461,405A
11339100517	CARBON FILM RESISTOR 390 OHM1/16W +-5%	2	R228,142
11339200517	CARBON FILM RESISTOR 3.9K OHM1/16W +-5%	10	R110,169,311,312,315,317,325,326,331,332
1133938J167	METAL FILM RESISTOSR 39K OHM1/8W +-1% "DONGGUAN CHANGAN"	1	R118
11347000517	CARBON FILM RESISTOR 47 OHM1/16W +-5%	4	R150,153,520,301
11347030575	METAL OXIDE FILM RESISTOR 47OHM 1W +-5%	1	R938

PART NUMBER	DESCRIPTION	QTY	LOCATION
-------------	-------------	-----	----------

12310437001	CERAMIC CAP 0.1 MFD 50V+-5%(+80/-20%)	2	C432,615
12312255191	CERAMIC CAP. 0.0012 MFD 500V+-10% (B TYPE) MAT. {TAPING}	1	C442
12312285010	CERAMIC CAP. 0.0012 2KV +-10%	2	C908,942
12315034094	CERAMIC CAP. 15PF 50V +-5%(NPO) {TAPING TYPE}	4	C603,604,230,231
12318034094	CERAMIC CAP. 18PF 50V +-5%(NPO) {TAPING TYPE}	2	C110,111
12322034061	CERAMIC CAP. 22PF 50V +-5%(SL TYPE) {TAPING TYPE}	1	C216
12322235091	CERAMIC CAP. 0.0022 MFD 50V+-10% (B TYPE) {TAPING TYPE}	3	C612,613,456
12322246651	CERAMIC CAP. 0.0022 MFD 400V+-20% W/IEC 384-14 APP. MURATA	4	C936,934,988,989
12322337090	CERAMIC CAP. 0.022 MFD 50V +80-20%	1	C606
12322337091	CERAMIC CAP. 0.022 MFD 50V +80-20% {TAPING TYPE}	6	C136,172,174,105,106,107
12327034061	CERAMIC CAP. 27PF 50V +-5%(SL TYPE) {TAPING TYPE}	5	C617,618,619,607,609
12327135061	CERAMIC CAP. 270PF 50V +-10%(SL TYPE) {TAPING TYPE}	1	C122
12333237090	CERAMIC CAP. 0.0033 MFD 50V	3	C112,162,163
12347135061	CERAMIC CAP. 470PF 50V +-10%(SL TYPE) {TAPING TYPE}	12	C335
12347255090	CERAMIC CAP. 0.0047 MFD 500V+-10% (B TYPE)	2	C453,485
12347255290	CERAMIC CAP. 0.0047 MFD 500V+-10% (B TYPE) SMALL SIZE	2	C905,906
12350934093	CERAMIC CAP. 5 PF 50V +-5%(NPO)	2	C218,229 (FOR X201)
12356034061	CERAMIC CAP. 56PF 50V +-5%(SL TYPE) {TAPING}	2	C621,622
12356165041	CERAMIC CAP. 560PF 1KV +-10%	6	C907,909,939,940,941,454
12368135060	CERAMIC CAP. 680 PF 50V +-10%(SL TYPE)	1	C914
12610207107	MYLAR CAP. 0.001 MFD 50V +-10%{TAPING TYPE}	2	C201,213
1261020710Q	MYLAR CAP. 0.001 MFD 50V +-10%{TAPING} "SHENZHEN XINGUANG"	1	C123
12610307101	MYLAR CAP. 0.01 MFD 50V +-10%	3	C116,422,447
1261030710Q	MYLAR CAP. 0.01 MFD 50V +-10%{TAPING} "SHENZHEN XINGUANG"	1	C446
1261031100R	MYLAR CAP. 0.01 MFD 100V +-5%"DONGGUAN HUAHUI"	1	C492
12610315041	METALIZED POLYPROPYLENE CAP.0.01 MFD 1500VH +-5%	1	C462
12610406021	METALIZED POLYESTER FILM CAP.0.1 MFD 63V +-5%	3	C477
12610406027	METALIZED POLYESTER FILM CAP.0.1 MFD 63V +-5% {TAPING TYPE}	2	C143,114
12610410135	POLYPROPYLENE CAP. 0.1 MFD100V +-10% "XIAMEN FALA"	2	C455,479
1261042100A	MYLAR CAP. 0.1 MFD 250V +-5%"FUXIN"	1	C928
12610421041	METALIZED POLYPROPYLENE CAP.0.1 MFD 250V +-5%	1	C502

PART NUMBER	DESCRIPTION	QTY	LOCATION
-------------	-------------	-----	----------

12610421141	METALIZED POLYPROPYLENE CAP.0.1 MFD 250V +-10%	1	C903
12615207107	MYLAR CAP. 0.0015 MFD 50V+-10% {TAPING TYPE}	1	C458
12615307101	MYLAR CAP. 0.015 MFD 50V +-10%	2	C240,241
12615307107	MYLAR CAP. 0.015 MFD 50V +-10%{TAPING TYPE}	1	C611
12618307907	MYLAR CAP. 0.018 MFD 50V +-10%{TAPING} "FALA"	1	C918
12622207107	MYLAR CAP. 0.0022 MFD 50V+-10% {TAPING TYPE}	2	C476,475
12622307101	MYLAR CAP. 0.022 MFD 50V +-10%	2	C980,981
12622340131	POLYPROPYLENE CAP. 0.022MFD400V +-10%	1	C496
12622406027	METALIZED POLYESTER FILM CAP.0.22 MFD 63V +-5% TAPING TYPE	4	C180,428,429,101
1262732520P	MYLAR CAP. 0.027 MFD 250V+-20% "SHENZHEN XINGUANG"	1	C910
1264720710Q	MYLAR CAP 0.0047 MFD 50V +-10%{TAPING} "SHENZHEN XINGUANG"	2	C141,142
12647307101	MYLAR CAP. 0.047 MFD 50V +-10%	1	C916
1264730710Q	MYLAR CAP. 0.047 MFD 50V +-10%{TAPING} "SHENZHEN XINGUANG"	2	C181,182
12647320131	POLYPROPYLENE CAP. 0.047 MFD200V +-10%	1	C491
12647322241	METALIZED POLYPROPYLENE CAP.0.047 MFD 275V +-20% "OKAYA"	2	C904,902
12647406027	METALIZED POLYESTER FILM CAP.0.47 MFD 63V +-5% TAPING TYPE	7	C217,814,602,134,320,214,601
12647422245	METALIZED POLY.CAP. 0.47 MFD275VAC +-20% "XIAMEN FALA"	1	C901
1271050420C	ELECT CAP. 1 MFD 16V +-20%"FOSHAN NO.3"	13	C301,302
12710504223	ELECT. CAP. BIPOLAR 1 MFD 16V+-20%	2	C433,425
12710507203	ELECT. CAP. 1 MFD 50V +-20%	3	C137,608
12710507206	ELECT CAP. 1 MFD 50V +-20%{TAPING TYPE}	2	C219,140
12710604206	ELECT CAP. 10 MFD 16V +-20%{TAPING TYPE}	4	C147,325,154,987
12710607201	ELECT CAP 10MFD 50V +80 -20%	3	C614,912,406
12710613208	ELECT. CAP. 10 MFD 160V +-20%"JAMICON"	1	C460
12710625207	ELECT CAP. 10 MFD 250V +-20%"NICHICON"	1	C466
12710625208	ELECT CAP. 10 MFD 250V +-20%"JAMICON"	1	C501
12710704203	ELECT. CAP. 100 MFD 16V +-20%	1	C923
12710704206	ELECT CAP. 100 MFD 16V +-20%{TAPING TYPE}	5	C220,203,108,235,925
12710706203	ELECT. CAP. 100 MFD 35V +-20%	1	C930
12710706206	ELECT CAP. 100 MFD 35V +-20%{TAPING TYPE}	2	C430,494
12710709201	ELECT. CAP 100MFD 63V +-20%10X12.5	1	C452
12710713207	ELECT. CAP. 100 MFD 160V +-20%"NICHICON"	2	C443,444

PART NUMBER	DESCRIPTION	QTY	LOCATION
-------------	-------------	-----	----------

12710804206	ELECT CAP. 1000 MFD 16V +-20%{TAPING TYPE}	4	C448,926,450,416
12710805203	ELECT. CAP. 1000 MFD 25V +-20%	3	C497,426,427
12710806207	ELECT CAP. 1000 MFD 35V +-20%"NICHICON"	1	C932
12722504203	ELECT. CAP. 2.2 MFD 16V +-20%	7	C173,145,102,103,104,232,913
12722507206	ELECT CAP. 2.2 MFD 50V +-20%{TAPING TYPE}	1	C324
12722704203	ELECT. CAP. 220 MFD 16V +-20%	3	C151,605,507
12722704206	ELECT CAP. 220 MFD 16V +-20%{TAPING TYPE}	6	C175,322,326,152,822,488
12722706206	ELECT CAP. 220 MFD 35V +-20%{TAPING TYPE}	1	C459
1272271320H	ELECT CAP. 220 MFD 160V +-20%"SHENZHEN JIGUANG"	1	C938
12722805203	ELECT. CAP. 2200 MFD 25V +-20%	1	C451
12722806207	ELECT CAP. 2200 MFD 35V +-20%"NICHICON"	1	C935
12733604206	ELECT CAP. 33 MFD 16V +-20%{TAPING TYPE}	1	C823
12733704203	ELECT CAP. 330 MFD 16V +-20%	1	C503
12733742207	ELECT CAP. 330 MFD 420V +-20%"NICHICON"	1	C911
12747406201	ELECT CAP. 0.47UF 35V +80%-20%	5	C146,159,160,155,156
12747507206	ELECT CAP. 4.7 MFD 50V +-20%{TAPING TYPE}	2	C970,978
1274751012E	ELECT CAP. 4.7 MFD 100V +-10%LOW WASTAGE (BIPOLAR)"TONGYANG	1	C465
12747604203	ELECT. CAP. 47 MFD 16V +-20%	1	C224
12747604206	ELECT CAP. 47 MFD 16V +-20%{TAPING TYPE}	3	C223,171,170
12747607201	ELECT.CAP.47MFD 50V +-20%	2	C924,919
12747704206	ELECT CAP. 470 MFD 16V +-20%{TAPING TYPE}	3	C117,207,118
12747806801	ELECT CAP. 4700MFD 35V	1	C469
13013414801	SILICON DIODE IN4148	23	D106,602,603,507,508,509,510,512,901,402,112
13031000100	RECTIFIER DIODE EU1 0.25A/400VSANKEN	4	D906,907,908,911
13031000500	BRIDGE RECTIFIER DIODE D5SB"KARIN"	1	BR901
13031001200	RECTIFIER DIODE RU2 SANKEN	1	D411
13031002150	RECTIFIER DIODE BAV21 PHILIPS{TAPING}	4	D501,502,503,417
13031012000	RECTIFIER DIODE FMP-G12SSANKEN	1	D910
13031022850	DAMPER DIODE BY228 "PHILIPS"{TAPING}	2	D409,416
13031034500	RECTIFIER DIODE 3JH45 TOSHIBA3.0A 600V	2	D408
13031060050	RECTIFIER DIODE BYV28-600"PHILIPS"	1	D912
130310600R0	BRIDGE RECTIFIER DIODE BYV27-600 "CHANGZHOU YINHE"	3	D904,903,913
13031529500	RECTIFIER DIODE S5295G TOSHIBA	5	D405,407,902,415,905
13041003901	ZENER DIODE 3.9V{TAPING}	1	ZD602
13041004701	ZENER DIODE MIZJ407B (4.7V1/2W)	1	ZD902
13041005601	ZENER DIODE 5.6V{TAPING}	2	ZD102,901
13041006801	ZENER DIODE 6.8V 1/2W +-5%{TAPING}	1	ZD503

PART NUMBER	DESCRIPTION	QTY	LOCATION
-------------	-------------	-----	----------

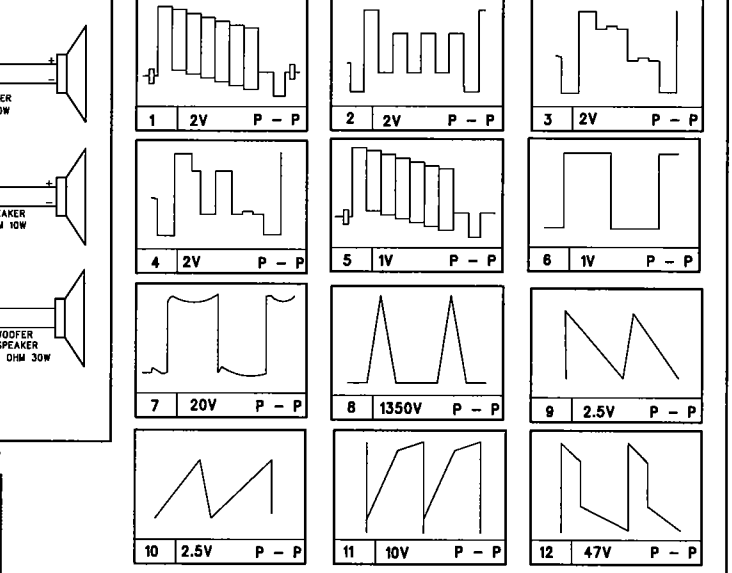
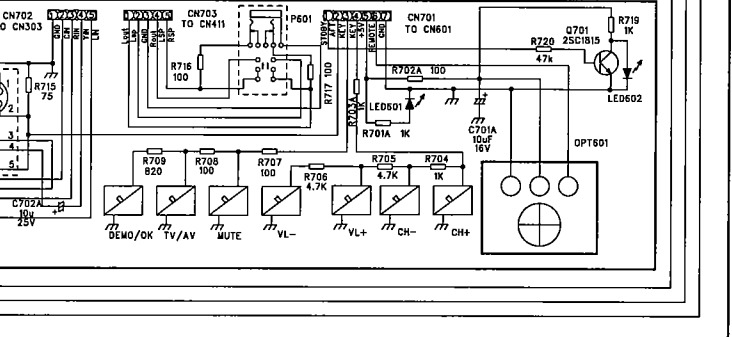
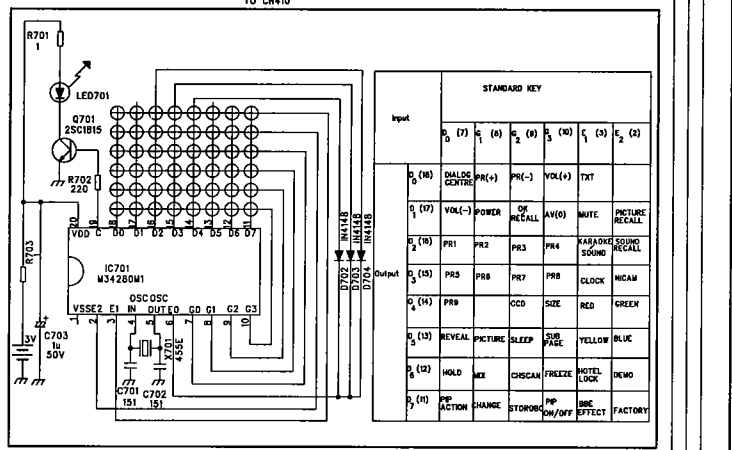
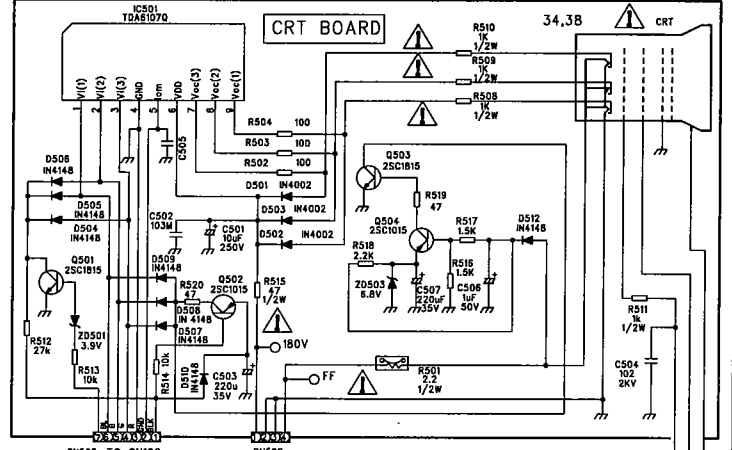
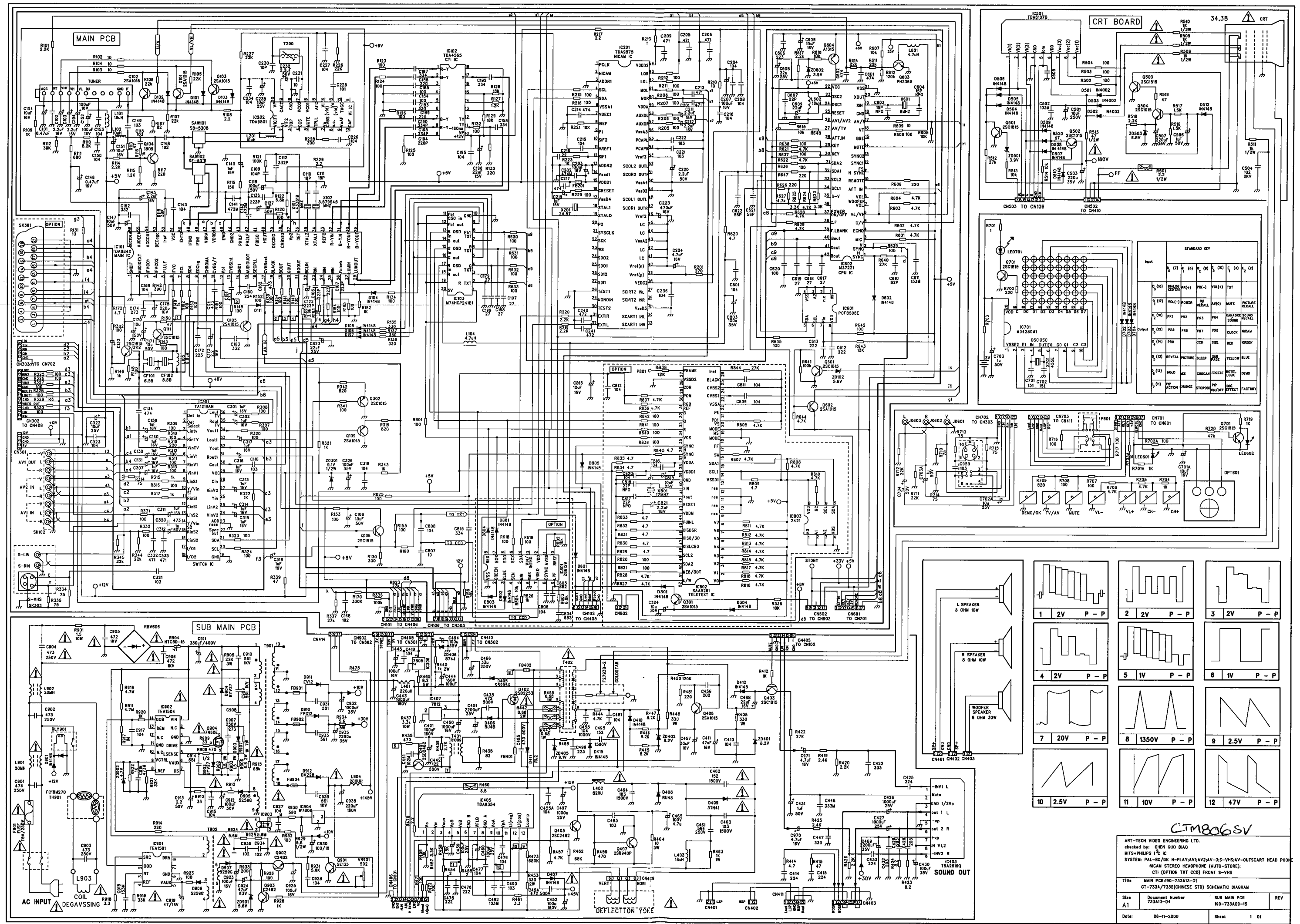
13041008201	ZENER DIODE 8.2V{TAPING}	1	ZD402
13041009101	ZENER DIODE 9.1V 1/2W +-5%{TAPING}	2	ZD301,ZD405
13041057400	ZENER DIODE UPC 574J NEC	1	ZD406
13121101502	TRANSISTOR A1015Y "GUANZHOU"	11	Q109,105,406,101,102,103,604,301,504,502,602
13122094016	TRANSISTOR 2SB940P	1	Q407
13123181502	TRANSISTOR C1815Y "GUANZHOU"	6	Q112,601,403,106,111,503
1312324820A	TRANSISTOR 2SC2482 TOSHIBA{TAPING}	3	Q405,903,902
13123361900	TRANSISTOR 2SC3619	1	Q401
13124255300	TRANSISTOR 2SD2553 TOSHIBA	1	Q402
13125134100	TRANSISTOR 2SK1341 HITACHI	1	Q904
1314623690A	TRANSISTOR PH2369 PHILIPS{TAPING}	1	Q603
13147013514	TRANSISTOR SE135N SANKEN	1	Q901
13300062114	I.C. P621 (GRL) TOSHIBA	1	IC903
13310121914	I.C. TA1219AN I2C AV SELECTOR"TOSHIBA"	1	IC301
13310150133	I.C. TEA1501 PHILIPS	1	IC901
13310150433	I.C. TEA1504/N2 PHILIPS	1	IC902
13310610733	I.C. TDA6107Q PHILIPS	1	IC501
13310835433	I.C. TDA8354Q/N1 PHILIPS	1	IC405
13310859833	I.C. PCF8598C-2 PHILIPS	1	IC601
13310884333	I.C. TDA8843 PHILIPS	1	IC101
13310980133	I.C. TDA9801/V1 PHILIPS	1	IC202
13313372212	I.C. M37221M8-144SP (MASKEDCHIP) "MITSUBISHI"	1	IC602
13320261633	I.C. TDA2616Q/N1 PHILIPS	1	IC403
13320780831	IC L7808C-V SGS-THOMSON	1	IC904
13320781231	IC L7812CV SGS-THOMSON	1	IC407
13351780561	I.C. KA7805 SAMSUNG	1	IC306
13724576030	CRYSTAL 24.576MHZ	1	X201
13735795425	CRYSTAL 3.57954 MHZ +-30PPM18PF "JOIN MARK"	1	X102
13744336222	CRYSTAL 4.433619 MHZ +-30PPM20PF M.CAP 20.6PF "JOIN MARK"	1	X101
13780000020	CRYSTAL 8.0 MHZ KITRONICS	1	X601
16010100108	PIN CONNECTOR 1 PIN PLUGSTRAIGHT	1	FOR CN501
1601010010H	PIN CONNECTOR 1 PIN (MALE)TV2.36MM I1.5MM "ATE"	10	FOR D406,408,912,R465,R905
16010225527	PIN CONNECTOR 2 PINS PLUGSTRAIGHT (UL) (S.H.S)	1	CN402
16010280508	PIN CONNECTOR 2 PIN PLUGSTRAIGHT	1	CN901
16010325527	PIN CONNECTOR 3 PINS PLUG	1	CN401
16010425427	PIN CONNECTOR 4 PINS PLUG(ANGLE TYPE)	1	CN009 `1'-`4'
16010425527	PIN CONNECTOR 4 PINS PLUG(SHS)	2	CN408,410
16010480508	PIN CONNECTOR 4 PIN PLUGSTRAIGHT	1	CN409
16010525527	PIN CONNECTOR 5 PINS WAFER2.5 PITCH	1	CN902
16010625527	PIN CONNECTOR 6 PINS WAFER(SHS) S11-W	1	CN405
16010725527	PIN CONNECTOR 7 PIN PLUG	1	CN106
16010825427	PIN CONNECTOR 8 PINS PLUG(ANGLE TYPE)	1	CN009 `5'-`12'
16010925527	PIN CONNECTOR 9 PINS PLUG	1	CN406
16130500200	DIN CONNECTOR #HDC-020 "MIKI"	1	SK303

PART NUMBER	DESCRIPTION	QTY	LOCATION
-------------	-------------	-----	----------

12310427091	CERRAMIC CAP. 0.1 MFD 25V +80-20% {TAPING TYPE}	2	C806,808
1266820710Q	MYLAR CAP 0.0068 MFD 50V +- 10%{TAPING} "SHENZHEN XINGUANG"	1	C805
1266830710Q	MYLAR CAP. 0.068 MFD 50V +- 10%{TAPING} "SHENZHEN XINGUANG"	1	C804
13013414801	SILICON DIODE IN4148	4	D801,802,803,804
16138180225	I.C. SOCKET 18 PINS KLS-JC-18A"LEQING CONIC"	1	IC801
11310000517	CARBON FILM RESISTOR 10 OHM1/16W +- 5%	1	R131
11310100517	CARBON FILM RESISTOR 100 OHM1/16W +-5%	5	R132,124,125,126,123
11312200517	CARBON FILM RESISTOR 1.2K OHM1/16W +-5%	1	R127
11318300517	CARBON FILM RESISTOR 18K OHM1/16W +-5%	1	R128
11322100517	CARBON FILM RESISTOR 220 OHM1/16W +-5%	1	R133
12310135061	CERAMIC CAP. 100PF 50V +-10%(SL TYPE) {TAPING TYPE}	2	C184,185
12310427091	CERRAMIC CAP. 0.1 MFD 25V +80-20% {TAPING TYPE}	1	C195
12322134090	CERAMIC CAP.220PF 50V +80 -20%	2	C194,189
12333135061	CERAMIC CAP. 330PF 50V +-10%(SL TYPE) {TAPING TYPE}	1	C183
12633406021	METALIZED POLYESTER FILM CAP.0.33 MFD 63V +-5%	6	C187,188,190,192,193,158
12710704206	ELECT CAP. 100 MFD 16V +-20%{TAPING TYPE}	1	C196
13310456533	I.C. TDA4565 PHILIPS	1	IC102
11310100517	CARBON FILM RESISTOR 100 OHM1/16W +-5%	5	R820,821,840,841,842
11310200517	CARBON FILM RESISTOR 1K OHM1/16W + 5%	2	R826,845
11312300517	CARBON FILM RESISTOR 12K OHM1/16W +-5%	1	R838
11327300517	CARBON FILM RESISTOR 27K OHM1/16W +-5%	1	R844
11347200517	CARBON FILM RESISTOR 4.7K OHM1/16W +-5%	16	R827,828,836,837
11347900517	CARBON FILM RESISTOR 4.7 OHM1/16W + 5%	3	R833,834,835
11356300517	CARBON FILM RESISTOR 56K OHM1/16W +-5%	1	R810
12310427091	CERRAMIC CAP. 0.1 MFD 25V +80-20% {TAPING TYPE}	5	C809,811,820,812,816
12322034094	CERAMIC CAP. 22PF 50V +-5%(NPO) {TAPING TYPE}	2	C817,818
12710604206	ELECT CAP. 10 MFD 16V +-20%{TAPING TYPE}	2	C813,819
12722504203	ELECT. CAP. 2.2 MFD 16V +-20%	1	C821
13712000032	CRYSTAL 12 MHZ +-30PPM "QEL"	1	X801
16010225527	PIN CONNECTOR 2 PINS PLUGSTRAIGHT (UL) (S.H.S)	1	FOR CN801

PART NUMBER	DESCRIPTION	QTY	LOCATION
-------------	-------------	-----	----------

16138080201	IC SOCKET 8 PIN 9MM/2.54MMKLS-IC-8A "LEQING CONIC"	1	IC803
16138520200	IC SOCKET 52 PIN 16.5MM/1.7MMKLS-IC- 52A "LEQING CONIC"	1	IC802
17272600099	BARE WIRE 54MM	1	W801,805,807-809,R829-831,160
19120106010	2 PIN L=20MM AWG26 UL1007	1	FOR CN801



CTM806SV

ART-TECH VIDEO ENGINEERING LTD.
 checked by: CHEN GIU BIAO
 MITSUBISHI IC
 SYSTEM: PAL-60/50 N-PLA/AV/AV2-3S-VHS-VA-OUTSCART HEAD PHONE
 NCAM STEREO HEADPHONE (AUTO-STORE)
 CTI (OPTION TXD) FRONT S-VHS

Title	MAIN PCB100-733A13-01	REV	
Size	Document Number	SUB MAIN PCB	REV
A1	733A13-04	100-733A08-15	
Date:	08-11-2000	Sheet	1 of

67-189/01 677-058261